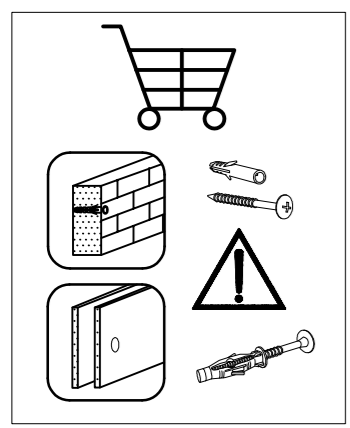
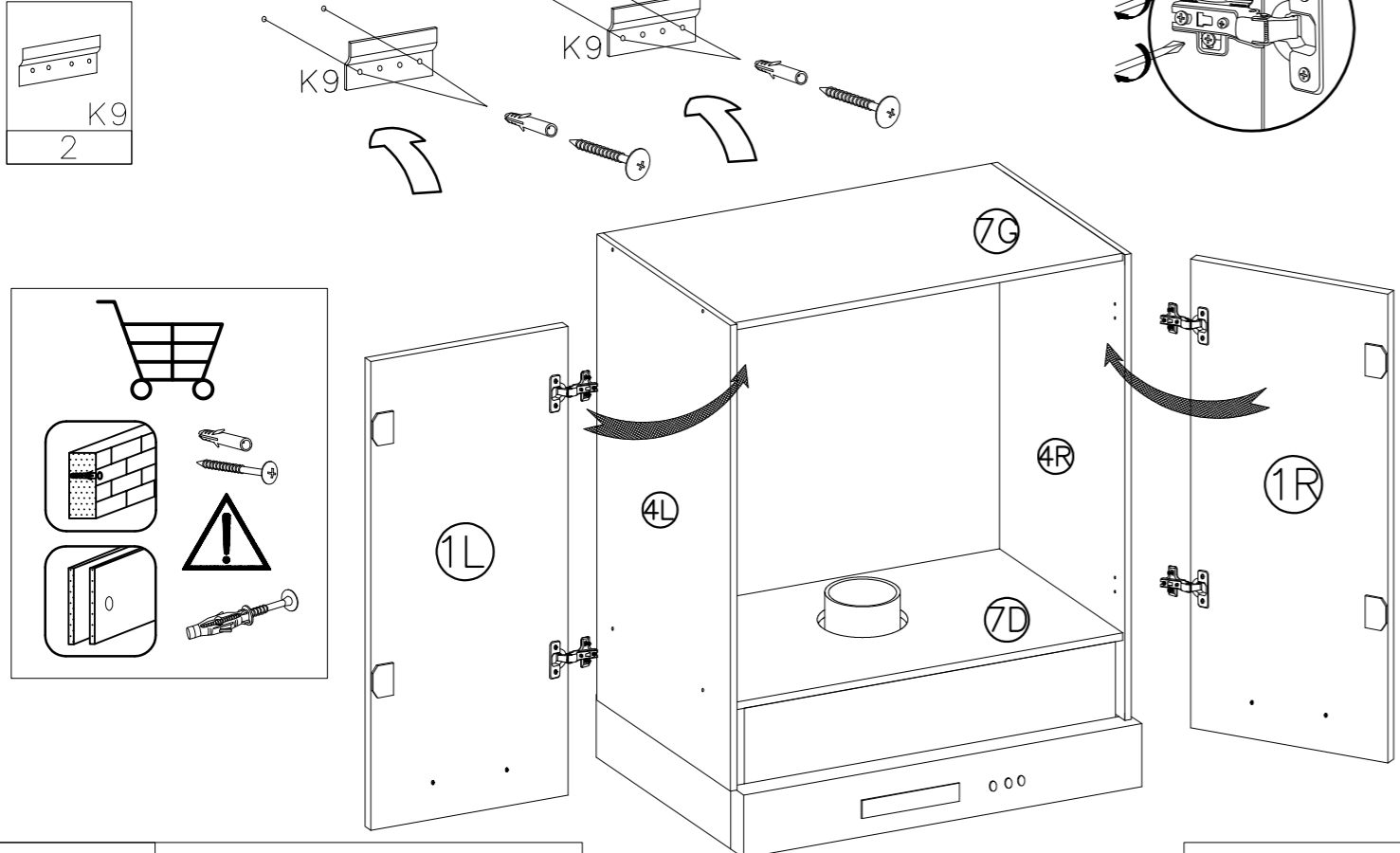
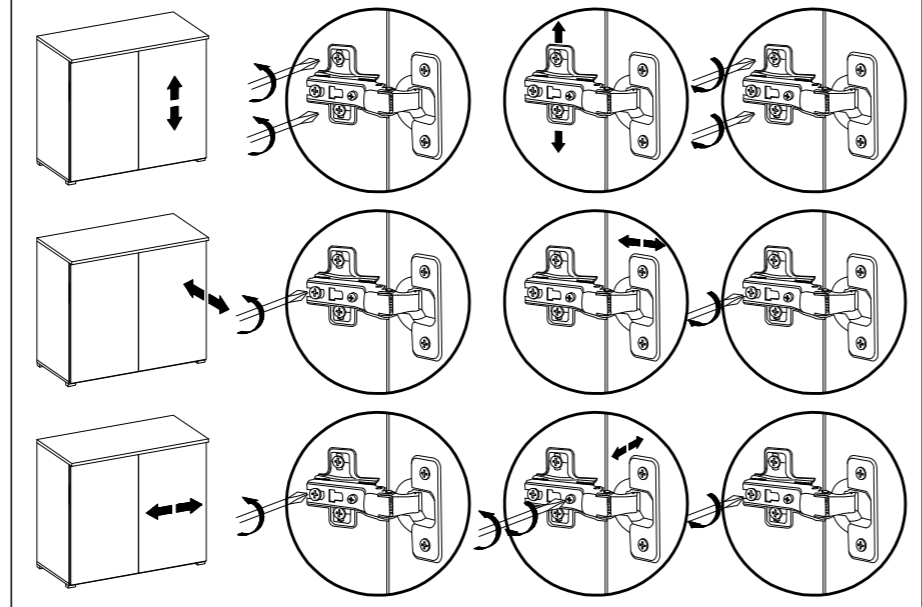
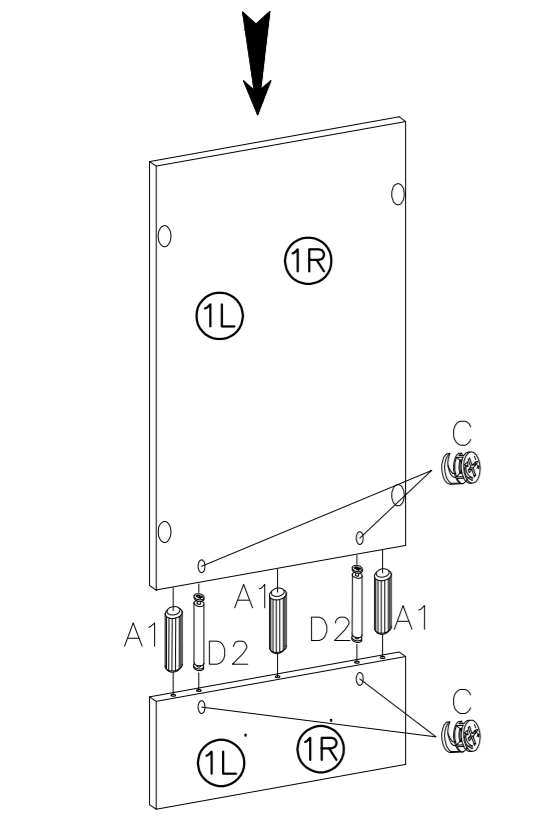


6

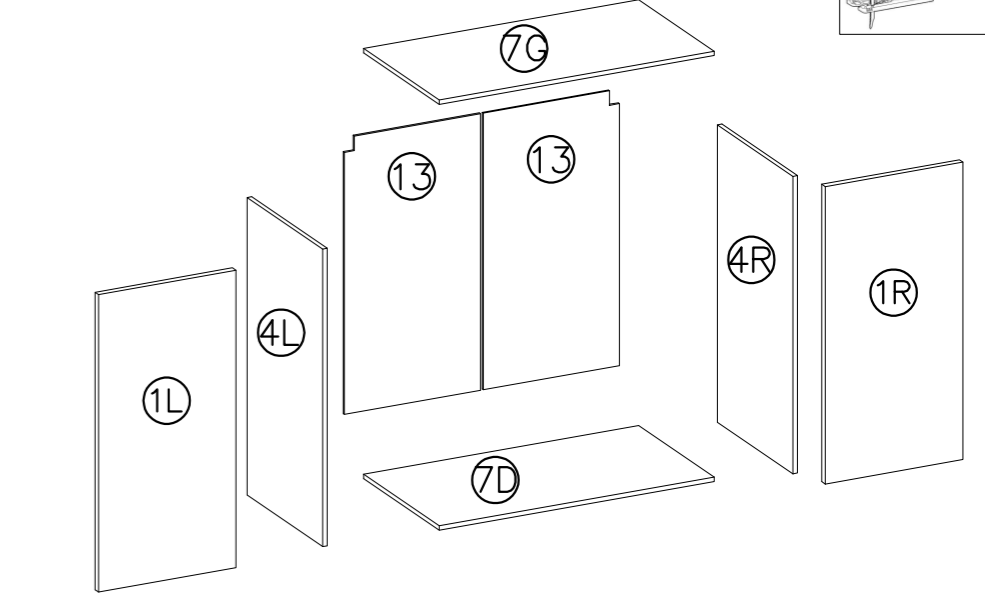
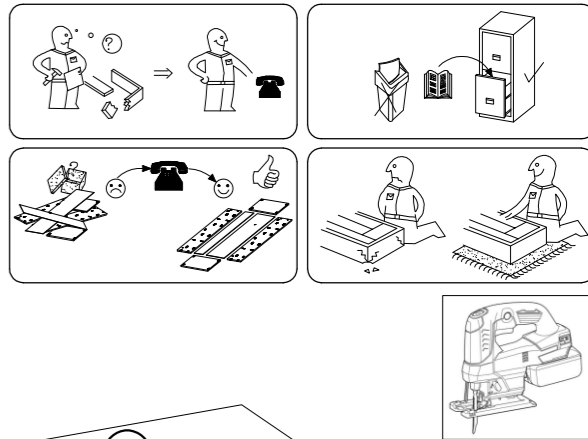
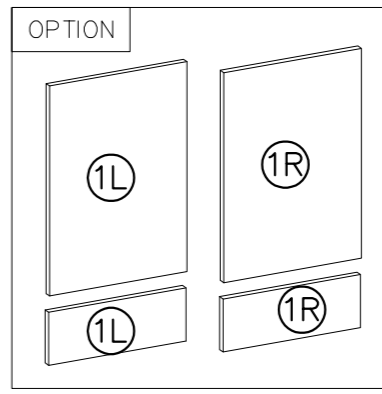
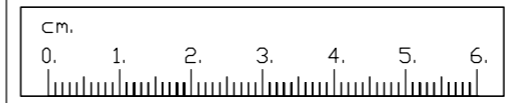
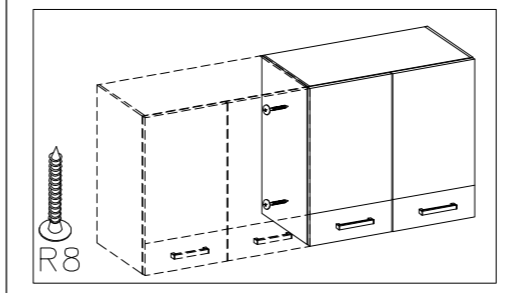
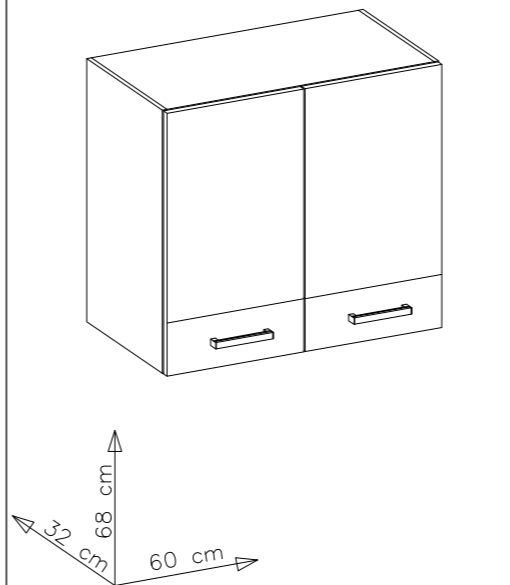
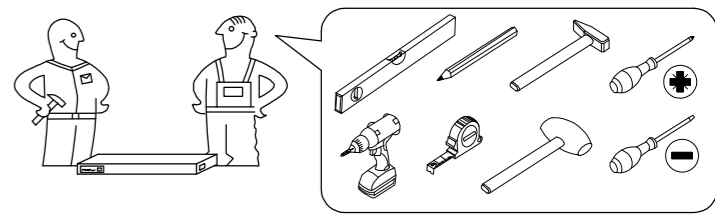


OPTION

$\varnothing 8 \times 40 \text{mm}$	$\varnothing 15 / 12 \text{mm}$	L-46	
A1	C	D2	E
6	8	4	8



KITCHEN 37G



Package No 1

4L 680x300	4R 680x300
7G 37G-568x300	7D 37G-568x278
13 37G-532x290	

Package No 2

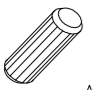

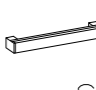

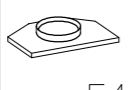
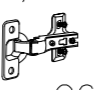

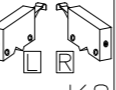
1R 37G-676x296	
1L 37G-676x296	
S1 M4.0x27mm	R2
2	4

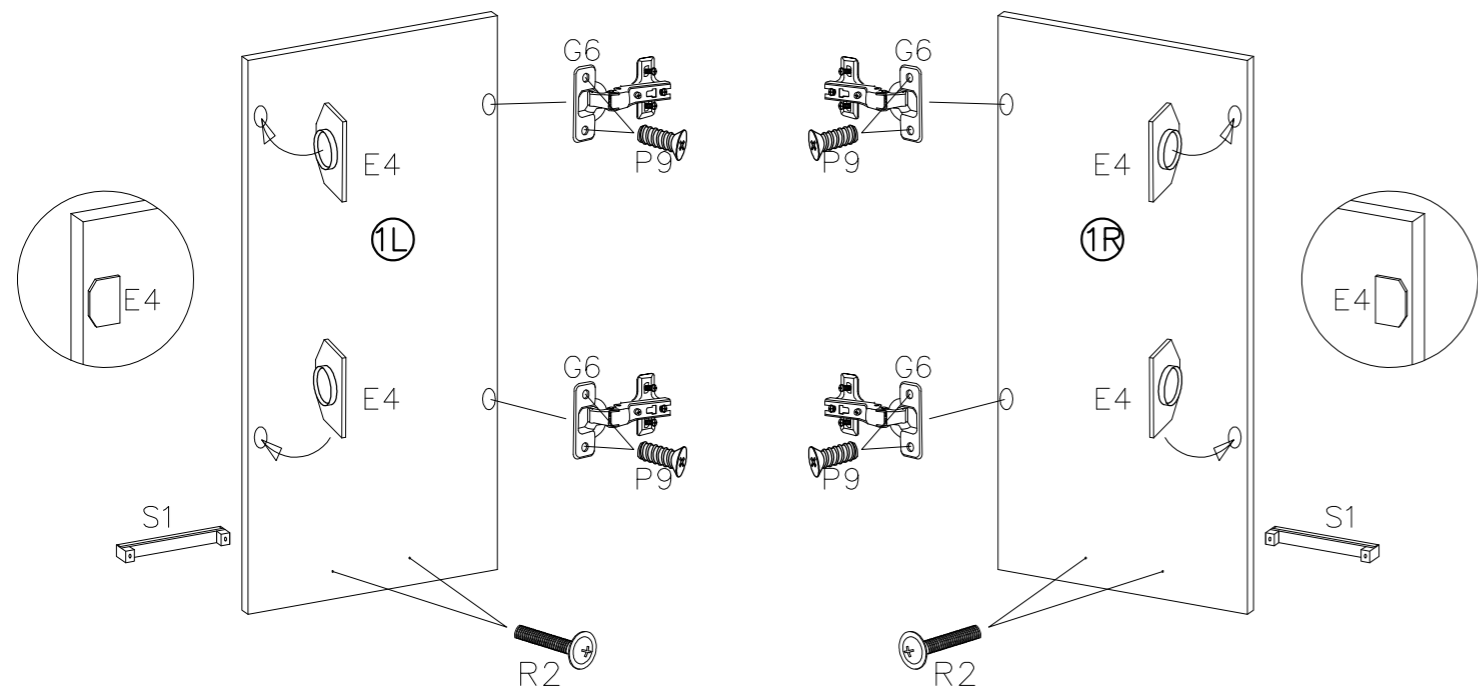
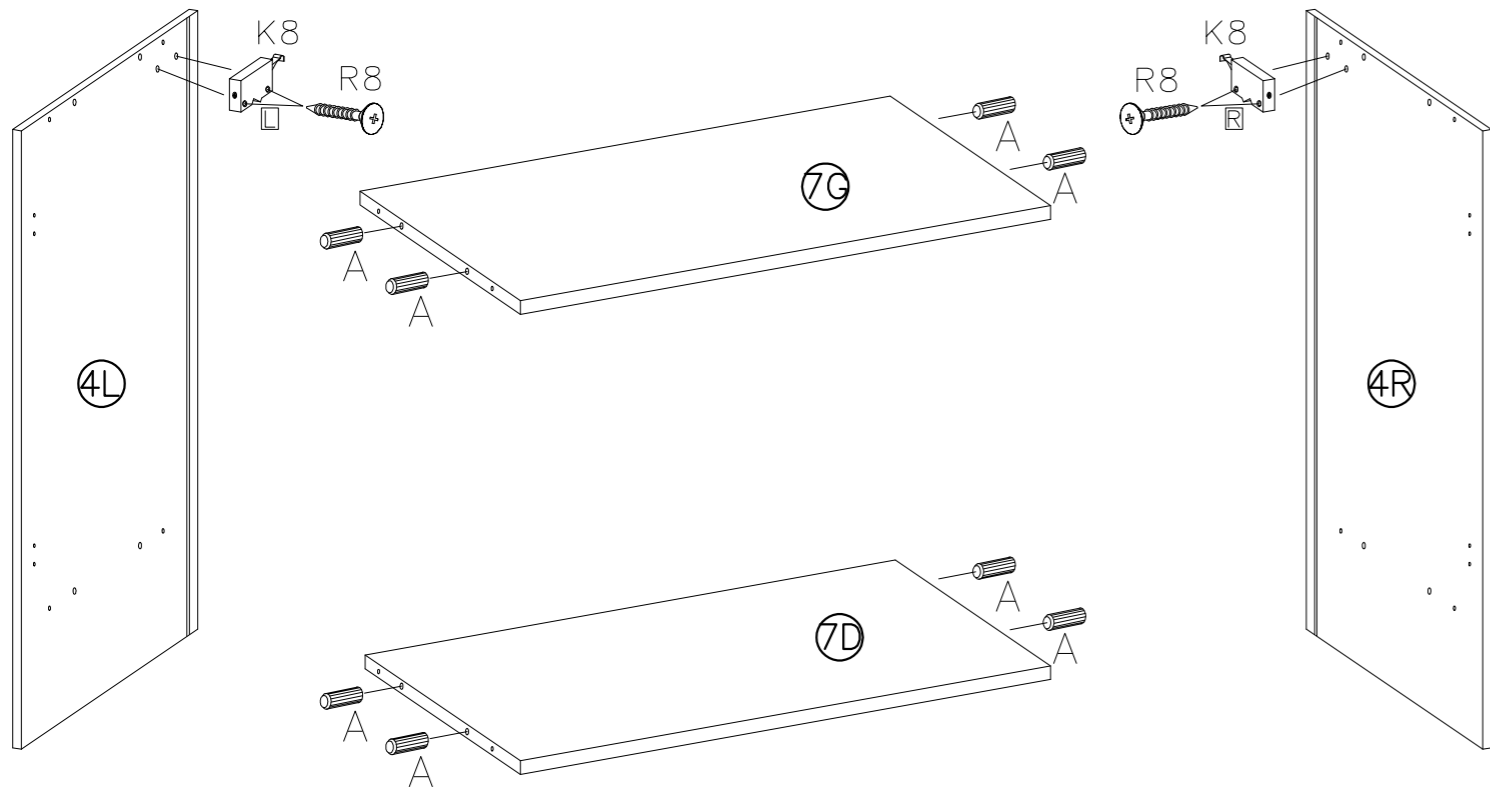
OPTION

$\varnothing 8 \times 40 \text{mm}$	$\varnothing 15 / 12 \text{mm}$	L-46	
A1	C	D2	E
6	8	4	8



$\varnothing 8 \times 30 \text{mm}$				$\varnothing 35 / \text{KR}-0$	
A	B	O	L	G6	E4
8	8	1	6	4	4
K9	K8	$\varnothing 5.0 \times 13 \text{mm}$	$\varnothing 3.5 \times 30 \text{mm}$	F10	Z1
2	1	8	6	8	1

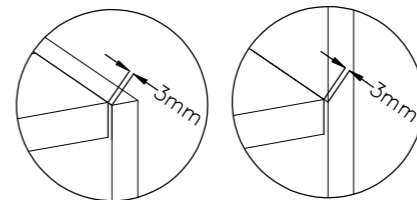
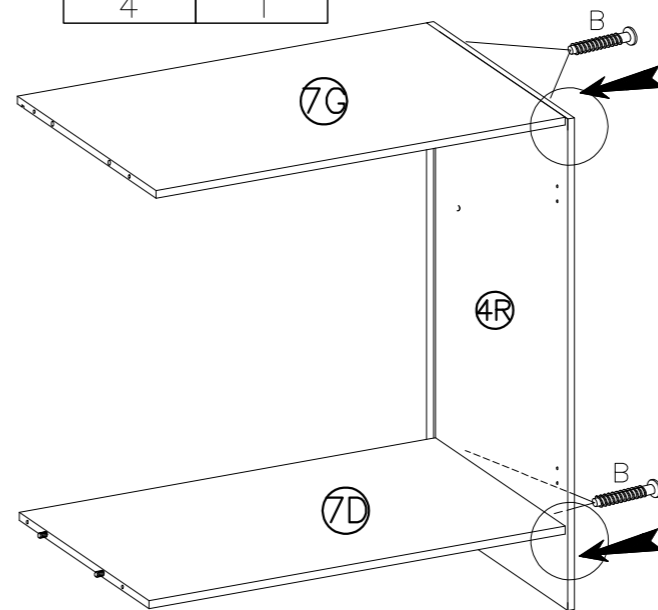
1

 $\varnothing 8 \times 30 \text{mm}$	 $\varnothing 5.0 \times 13 \text{mm}$	 M4.0 $\times 27 \text{mm}$			 $\varnothing 35 / \text{KR}-0$	 $\varnothing 3.5 \times 30 \text{mm}$	
A	P9	S1	R2	E4	G6	R8	K8
8	8	2	4	4	4	4	1

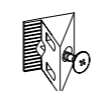
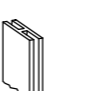


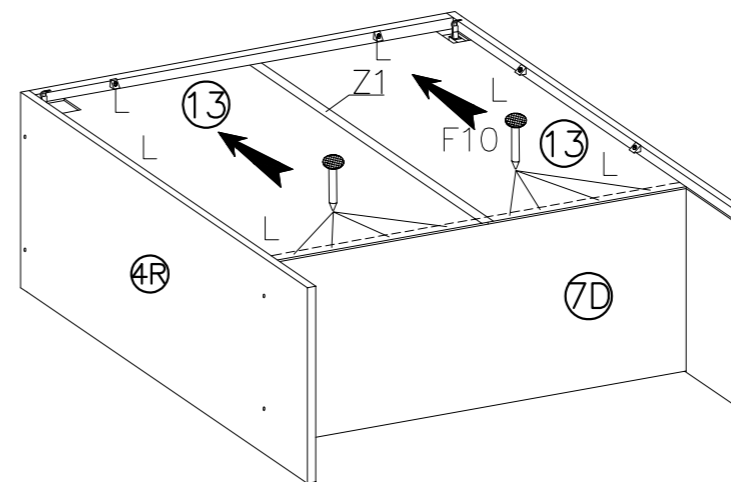
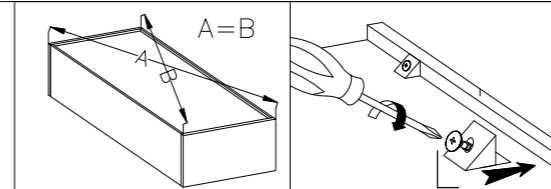
2

	
B	O
4	1





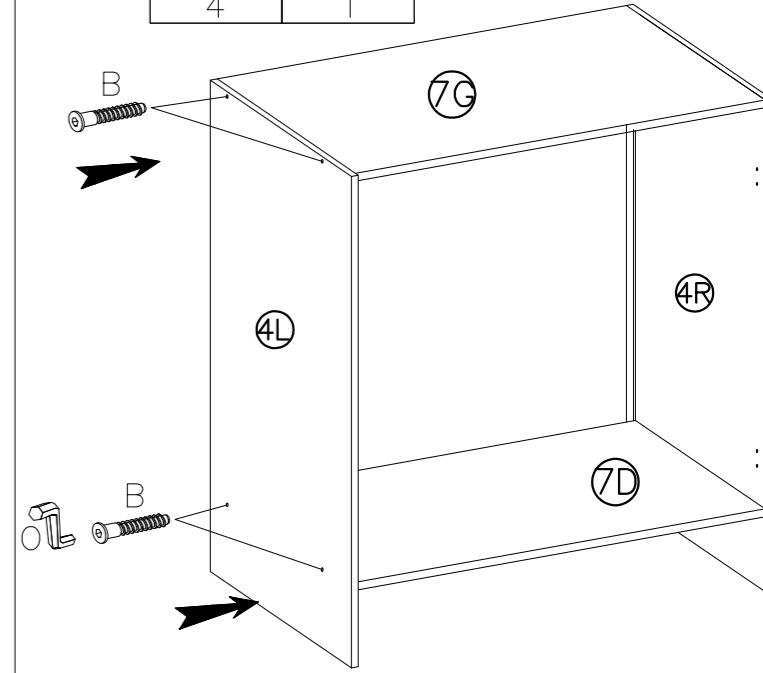
4

	
L	Z1
6	1



3

	
B	O
4	1



5

